

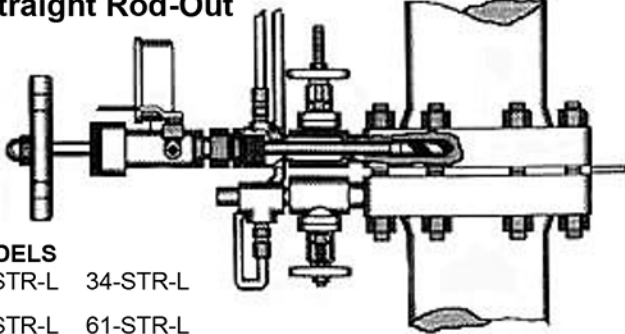
General Information

These tools allow clogged bleeder, drain, vent and instrument tap valves to be cleaned safely and efficiently while containing process material as directed by government regulations for environmental and personal safety. The tools eliminate the hazards of dangerous fires, spills and vapor releases while performing these tasks. Type 1 is designed for use up to 700 degrees F (370 degrees C) and 600 psi (4136 kPa). Type 2 is designed for use up to 400 degrees F (204 degrees C) and 600 psi (4136 kPa). Type 3 is designed for use up to 1000 degrees F (537 degrees C) and 1000 psi (6894 kPa). Parts for these new generation bleeder cleaners can be replaced in the field, ending the need for factory maintenance.

Field Replacement Parts Kit

Parts Kit ends the need for most factory service. Simply remove the nut on the handle and the tube fitting at the body, then remove the internal parts for complete field replacement in seconds. The Parts Kit is fully assembled at the factory and includes: end tube fitting, body tube fitting, tube, cutter, our unique bi-directional wire rope (can be turned in either direction without failures), wire rope/push rod connector, safety stop (blow-out preventer), threaded push rod and nut for the curved models. The Parts Kit for the straight models includes cutter, safety stop (blow-out preventer), threaded push rod and nut.

Straight Rod-Out



MODELS

07-STR-L 34-STR-L

16-STR-L 61-STR-L

25-STR-L 70-STR-L

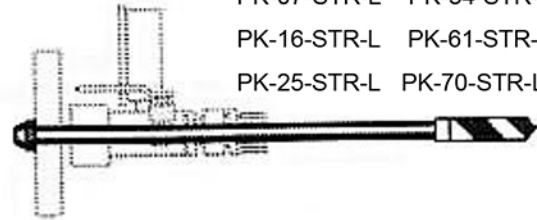
Please state length needed.

Straight Parts Kit

PK-07-STR-L PK-34-STR-L

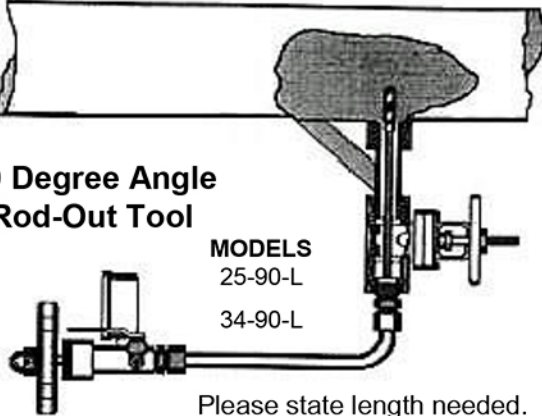
PK-16-STR-L PK-61-STR-L

PK-25-STR-L PK-70-STR-L



Parts Kit include cutter, safety stop, threaded push rod, and nut. Ready to install

90 Degree Angle Rod-Out Tool



MODELS

25-90-L

34-90-L

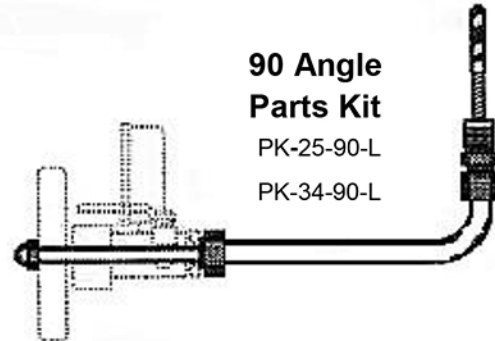
Please state length needed.

Ex: 25-90-L-18"

90 Angle Parts Kit

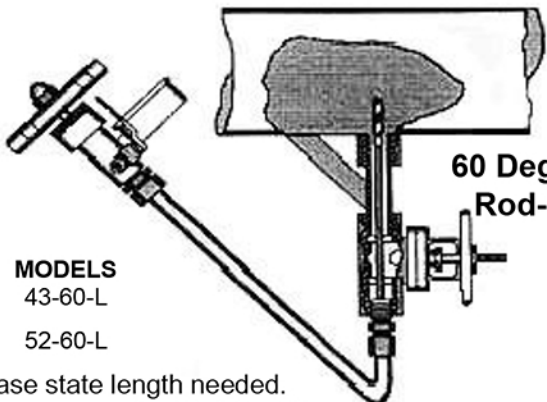
PK-25-90-L

PK-34-90-L



Parts Kit include cutter, wire rope, push rod/wire rope connector tube, tube fittings, threaded push rod, and nut. Ready to install

60 Degree Angle Rod-Out Tool



MODELS

43-60-L

52-60-L

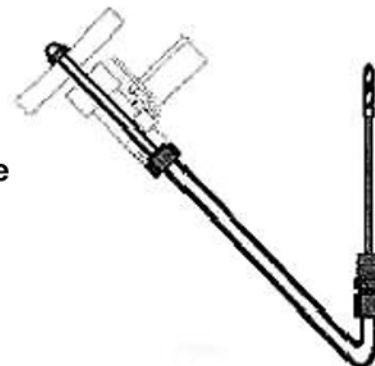
Please state length needed.

Ex: 43-60-L-18"

60 Angle Parts Kit

PK-43-60-L

PK-52-60-L



Parts Kit include cutter, wire rope, push rod/wire rope connector tube, tube fittings, threaded push rod, and nut. Ready to install